

LONG SERVICE LIFE.
SHORT DELIVERY TIMES.

*Delivery
in just
2 weeks!*

ELITE –
Bush Conveyor Chains from iwis

ELITE Bush Conveyor Chains – long-lasting, flexible and certified

Our ELITE range offers a wide selection of bush conveyor chains whose outstanding quality means that they are able to meet any requirement placed on high-performance chains. Developed with the expertise of our in-house engineering team, the ELITE bush conveyor chains from iwis are ideally suited to master the challenges of everyday use. Their particular strength comes in focus when they are used in applications with long conveyor distances and slow speeds.

With their **high fatigue strength** and **high wear** resistance, ELITE bush conveyor chains offer a long service life and a high degree of cost-efficiency. This is achieved by the use of case-hardened pins and bushes, along with hardened and tempered link plates with an effective **breaking strength significantly above what is standard in the industry**.

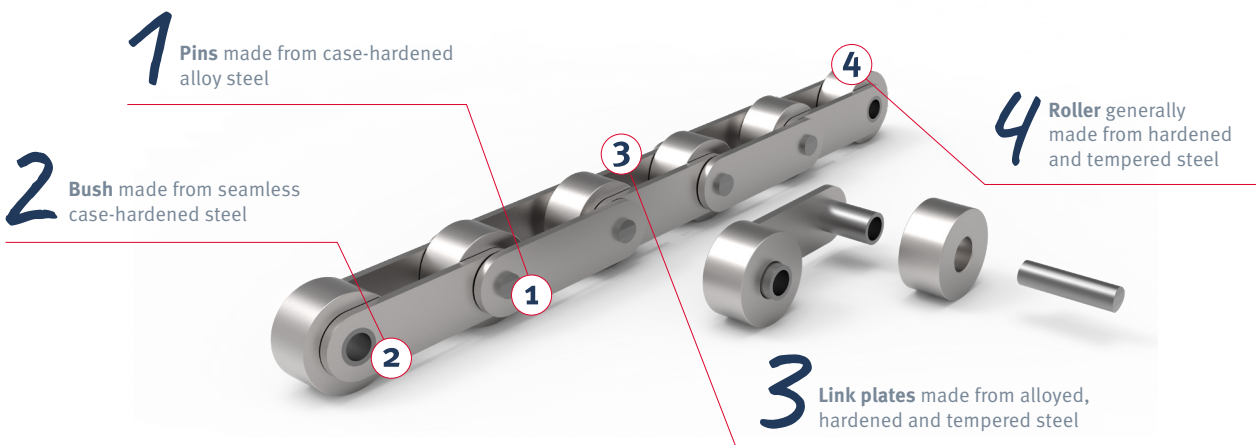
Their low run-in elongation means that ELITE bush conveyor chains only rarely need to be re-tensioned. This **minimizes maintenance times** and makes them predictable, thus avoiding interruptions to production.

Beyond that, our ELITE bush conveyor chains offer **maximum flexibility**: For instance, the chain links can be welded (using a suitable electrode) and the chains are available in a wide range of standard and fixed lengths – and selected M Series and FV Series chains (see table) are even available **from stock within two weeks**.

All of which means that ELITE bush conveyor chains from iwis represent top quality and fatigue strength coupled with optimum availability.

Highlights

Good to know: The ELITE range offers a large number of bush conveyor chains compliant with DIN 8165 and DIN 8167 and in imperial dimensions compliant with the British Standard, all in a variety of special designs to meet special customer requirements.



Requirements

Whether it be for high flexibility, wear resistance, long service life or low maintenance: every day, iwis ELITE bush conveyor chains master a wide range of requirements in the timber, steel, automotive, bulk materials, recycling and environmental technology industries in style.

This, coupled with their superb value for money and short delivery times, often makes ELITE bush conveyor chains from iwis the first choice when it comes to demanding conveyor applications.



Steel industry



Recycling industry



Automotive industry



Timber industry



Bulk materials industry

*Delivery
in just
2 weeks!*

ELITE Bush Conveyor Chains we have directly in stock

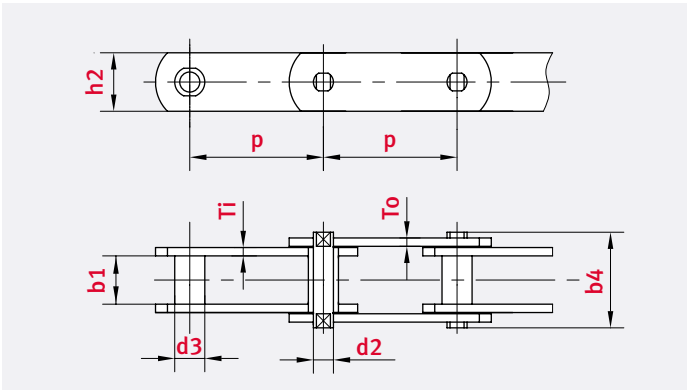
Chain type	Pitch p (mm)	Width between inner plates b ₁ (mm) min.	Pin d ₂ (mm) max.	Pin length b ₄ (mm)	Bush-ø d ₃ (mm) max.	Roller-ø d ₄ (mm) max.	L-Plate height h ₁ max.	Plate thickness Ti/To (mm)	Tensile strength FU min.	Bearing area f (cm²)	Standard chain length (m)	Article No. Chain	Article No. Connecting link
------------	--------------	---	------------------------------	--------------------------------	---------------------------------	-----------------------------------	------------------------------------	----------------------------	--------------------------	----------------------	---------------------------	-------------------	-----------------------------

M-Serie (DIN 8167)														
M 56 63 B15	63	24	10	52	15			30	4	56	3.2	5.04	81031499	81031500
M 80 100 B18	100	28	12	62	18			35	5	80	4.56	5.00	81040972	81048535
M 112 100 B21	100	32	15	73	21			40	6	112	6.6	5.00	81019625	81019626
M 112 125 B21	125	32	15	73	21			40	6	112	6.6	5.00	81027429	81027131
M 160 125 B25	125	37	18	85	25			50	7	160	9.18	5.00	81048521	81030314
M 160 160 B25	160	37	18	85	25			50	7	160	9.18	5.12	81048528	81048536
M 224 125 B30	125	43	21	98	30			60	8	224	12.39	5.00	81016816	81016817
M 224 160 B30	160	43	21	98	30			60	8	224	12.39	5.12	81039775	81039776

FV-Serie (DIN 8165)														
FV 63 63 B18	63	22	12	48.5	18			30	4	63	3.7	5.04	81023314	81025817
FV 90 63 B20	63	25	14	56.5	20			35	5	90	5	5.04	81013782	81020942
FV 90 100 B20	100	25	14	56.5	20			35	5	90	5	5.00	81020776	81014902
FV 112 100 B22	100	30	16	66	22			40	6	112	6.8	5.00	81028509	81029565
FV 112 100 R55	100	30	16	66	22	55		40	6	112	6.8	5.00	81027834	81029565
FV 112 125 B22	125	30	16	66	22			40	6	112	6.8	5.00	81027724	81027725
FV 140 100 B26	100	35	18	71.5	26			45	6	140	8.36	5.00	81022846	81032190
FV 140 125 B26	125	35	18	71.5	26			45	6	140	8.36	5.00	81030309	81048534
FV 180 125 B30	125	45	20	92	30			50	8	180	12.3	5.00	81026897	81020919
FV 180 160 B30	160	45	20	92	30			50	8	180	12.3	5.12	81027728	81027729

B = Bush diameter
R = Roller diameter

A complete overview of the entire ELITE bush conveyor chain program and attachments can be found in the ELITE catalog.
www.iwis.com/downloads

Our subsidiaries

Germany

iwis antriebssysteme GmbH & Co. KG
Albert-Roßhaupter-Straße 53
81369 München
Tel. +49 89 76909-1500
Fax +49 89 76909-1198
sales-muenchen@iwis.com

Germany

iwis antriebssysteme GmbH
Essener Straße 23
57234 Wilnsdorf
Tel. +49 2739 86-0
Fax +49 2739 86-22
sales-wilnsdorf@iwis.com

Germany

iwis agrisystems
Schützenweg 5
36205 Sontra
Tel. +49 5653 9778-0
Fax +49 5653 9778-26
agrisystems@iwis.com

Brazil

iwis Sistemas de Transmissão
de Energia Mecânica Ltda.
Rua Bento Rosa, nº 1816
Bairro Hidráulica
95.900-000 Lajeado, RS
Tel. +55 51 3748-7402
salesbrazil@iwis.com

China

iwis drive systems (Suzhou) Co., Ltd.
No. 266 LvliangShan Road
215153 Suzhou SND
Tel. +86 512 8566-3010
Fax +86 512 8566-3009
salescn@iwis.com

France

iwis systèmes de transmission
10, rue du Luxembourg
69330 Meyzieu
Tel. +33 4374515-70
Fax +33 4374515-71
salesfr@iwis.com

Great Britain

iwis drive systems Ltd.
Unit 8c Bloomfield Park
Bloomfield Road, Tipton
West Midlands, DY4 9AP
Tel. +44 12 15213600
Fax +44 12 15200822
salesuk@iwis.com

India

iwis drive systems India Pvt. Ltd.
„Anisha“, Unit No3, SR. No. 84/1
Regency Cosmos, Baner Mahalunge Road,
Opposite to Amruta Hotel
Baner, Pune, Maharashtra-411045
Tel. +91 20 67110305
salesin@iwis.com

Italy

iwis drive systems Srl
Via Carlo Rota, 10
20090 Monza (MB)
Tel. +39 340 9296142
Fax +49 89 7690949-1726
italia@iwis.com

Canada

iwis drive systems, Inc.
101-19097, 26th Avenue,
Surrey BC V3Z 3V7
Tel. +1 604 560-6395
Fax +1 604 560-6397
salesca@iwisusa.com

Switzerland

iwis AG Kettentechnik
Bahnweg 4 (Postfach)
5504 Othmarsingen
Tel. +41 62 8898999
Fax +41 62 8898990
info@iwis-ketten.ch

Scandinavia

iwis Scandinavia
Tel. +45 31 390819
sales-scandic@iwis.com

South Afrika

iwis drive systems, (Pty) Ltd.
Unit 3, 127 Koornhof Road
Meadowdale, 1613
Tel. +27 11 392-2306
Fax +27 11 392-3295
salessa@iwis.com

South Korea

iwis engine systems Korea Co., Ltd.
Office No. 403-2, 322 Yanghyeon-ro
(Yatap-dong, Korea Design Center)
Bundang-Gu, Seongnam Si,
Gyeonggi-Do, Korea (ZIP) 13496
Tel. +82 31 788-7545
saleskor@iwis.com

Czechia

iwis antriebssysteme spol. s r.o.
Písecká 893
38601 Strakonice
Tel. +420 383 411811
Fax +420 383 321695
salescz@iwis.com

Turkey

iwis tahrik sistemleri ltd. şti.
Aydinli- BIRLIK Org. San. Bol.
5. Sokak No: 18/Z1
34953 TUZLA-Istanbul
Tel: +90 216 912-4947
Fax +90 212 939-3701
salestr@iwis.com

USA

iwis drive systems, LLC
Building 100, 8266 Zionsville Road
Indianapolis, IN 46268
Tel. +1 317 821-3539
Fax +1 317 821-3569
sales-us@iwis.com